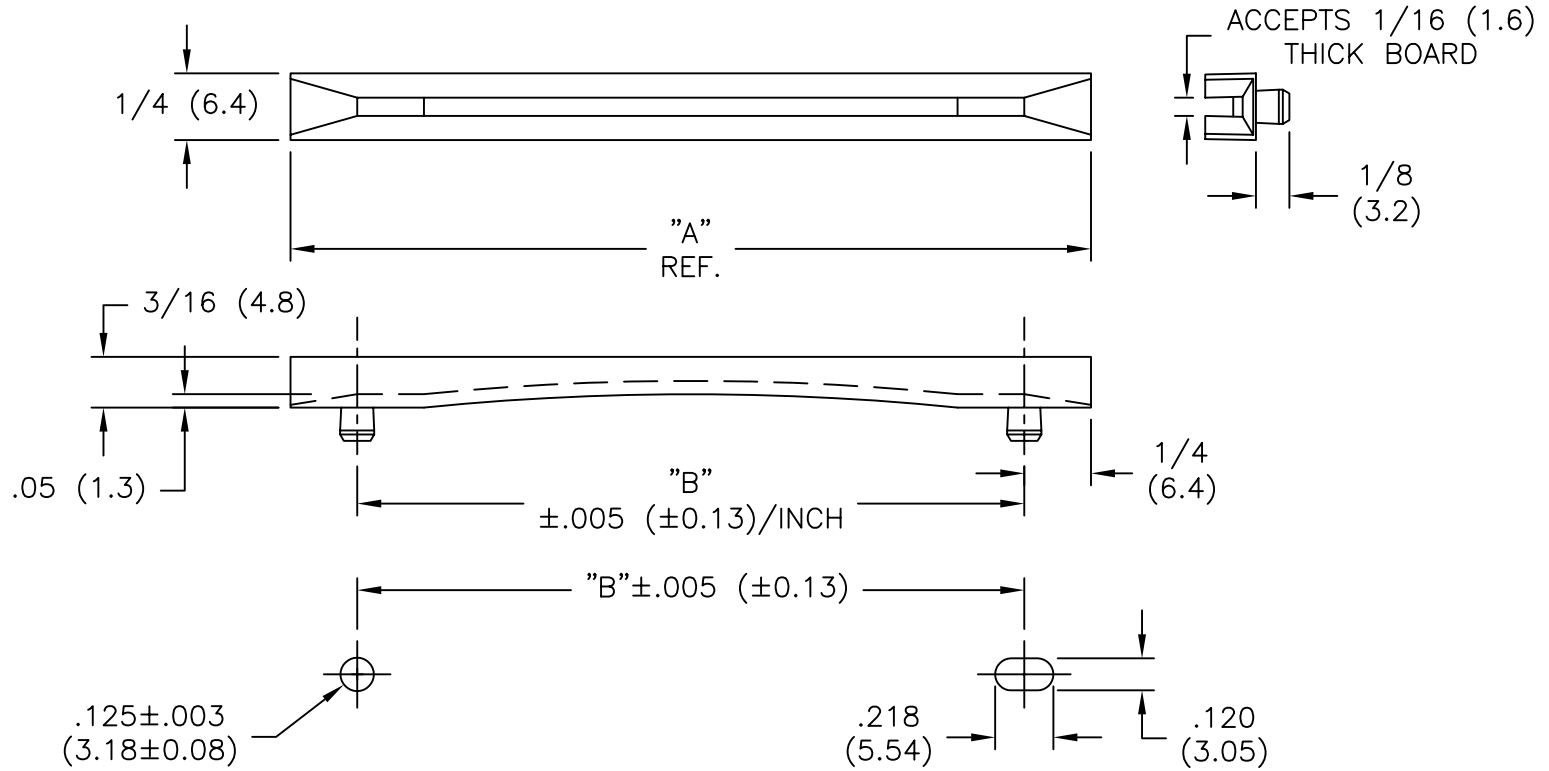


PART NO.	DIM. "A"	DIM. "B"
RCG-1	3.0 (76.2)	2.5 (63.5)
RCG-2	4.0 (101.6)	3.5 (88.9)
RCG-3	6.0 (152.4)	5.5 (139.7)
RCG-4	8.5 (215.9)	8.0 (203.2)



NOTES:

- MAT'L: NYLON 6/6 (RMS-01)
FLAME RETARDANT NYLON (RMS-19).
AVAILABLE BY SPECIAL ORDER ONLY.
- COLOR: NATURAL.

RECOMMENDED MOUNTING HOLES
IN 1/16" (1.6) NOMINAL THICK PANEL

TITLE: RACK CARD GUIDES			DWG IN IN(MM)	FINAL	PRINT TYPE
TOLERANCES UNLESS NOTED .XX= \pm .010 .XXX= \pm .005 FRAC=1/64 ANG=1°	FILE # RCG	DWN: J.B.	APP:	PART #	
	MAT'L: SEE NOTES	DT: 12-05-95	DT:	SEE TABLE	
	RE: RICHCO, INC.	RICHCO INC. PO BOX 804238, CHICAGO, 60680 (773) 539-4060		CA	
C	SEE ECN #831 FOR CHANGES	SM 08.09.04			
B	CHANGED DIM. "B" FROM FRAC. TO DEC.	SM 02.05.02			
A	CHANGED FILE NUMBER	SM 05.11.01			
REV	DESCRIPTION	ENGR DATE			